

OASIS2600

Patio Sun Shades



Clutch-operated Solar Screen Patio Shades

- Custom sizes to 10' wide
- Manual clutch and bead chain operation
- Bungee cord system
- Welded fabric edges for durability



Exposed Roller Only

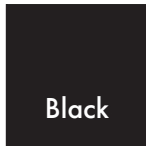


Clutch Bracket



Idler Bracket

Oasis
2600
bracket
colors

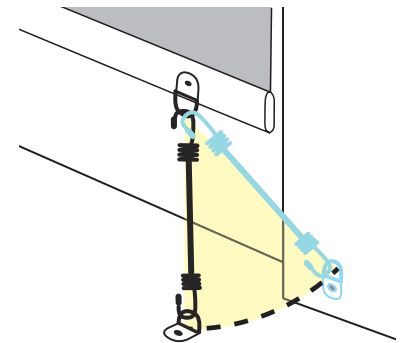
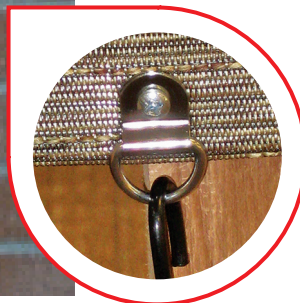
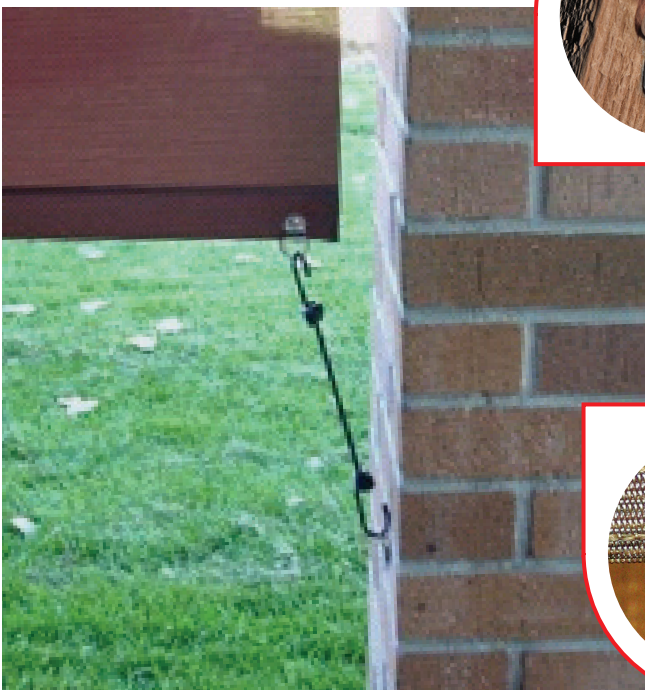


White

Black

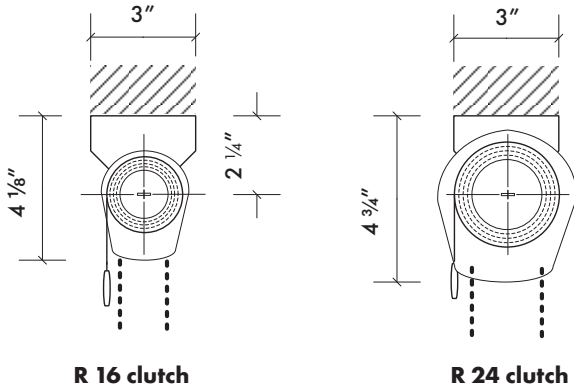
- Welded fabric edges for increased durability
- Heavy duty brackets
- Locking idler bracket
- Exterior grade stainless steel idler
- Surface, side, or ceiling mount (surface mount shown)

Bungee Cord System



- 3/16" x 8" bungee cord (unstretched)
- Hem pocket is predrilled for D-ring to be attached by nut and bolt
- Mount D-ring to vertical or horizontal surface no more than 45° from vertical

Manual Clutch Operation & Child Safety



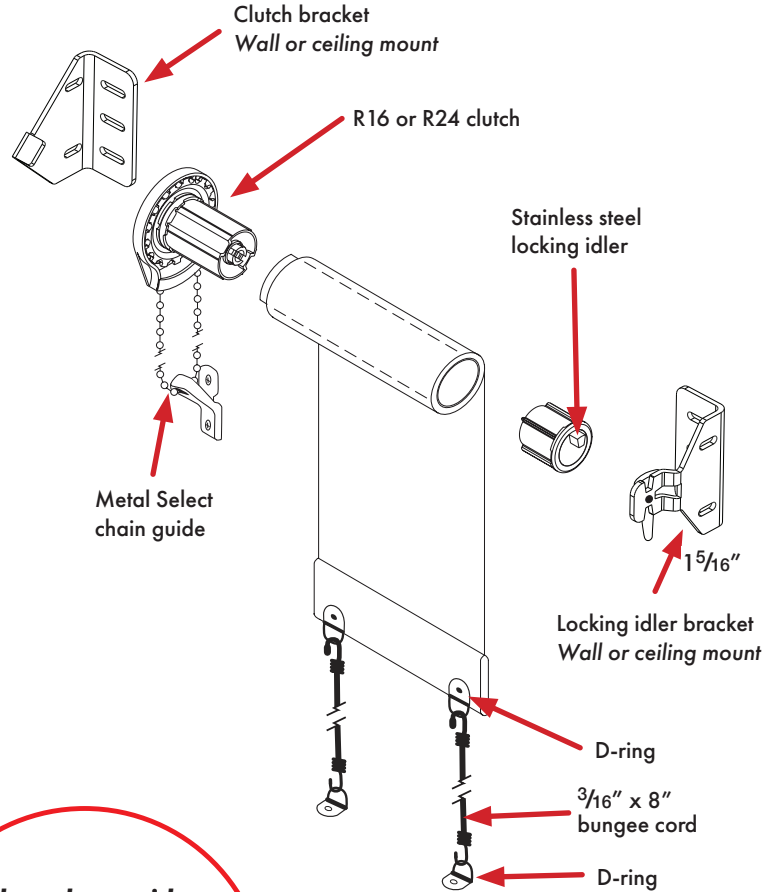
For easy lifting, patio shades are matched with clutch sizes according to clutch lifting capacity.

Oasis 2600 clutch colors

White	Black
-------	-------

Chain guide colors: Black, white, brown, nickel

Chain options: Polyester cord with plastic bead chain (black, white, or brown) **OR** stainless steel chain.



All products with chain loops require:

- Child-safe locking chain guide installed
- Warning labels permanently affixed to shade hem bar

The most attractive chain guides in the industry, Insolroll's proprietary Metal Select locking chain guides provide both increased child safety and greater durability than industry standard plastic chain guides.

All Insolroll products meet ANSI/WCMA A100.1-2012 Child Safety Standard, and will meet or exceed the new standard scheduled to take effect 12/15/18.



Stainless steel chain

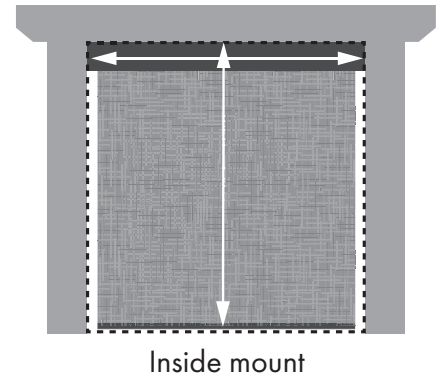
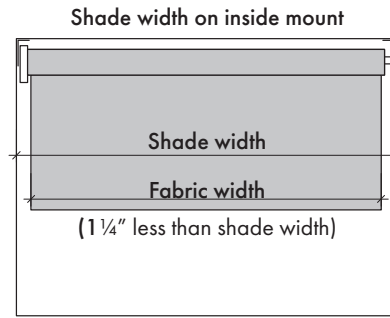
Metal Select chain guide

⚠ WARNING	⚠ ADVERTENCIA
<p>The cords on this product present a potential strangulation hazard.</p> <p>For child safety, consider cordless alternatives or products with inaccessible cords.</p>	<p>Los cordones de este producto representan un peligro potencial de estrangulamiento.</p> <p>Para la seguridad de los niños, utilice alternativas sin cordón o productos cuyos cordones sean inaccesibles.</p>

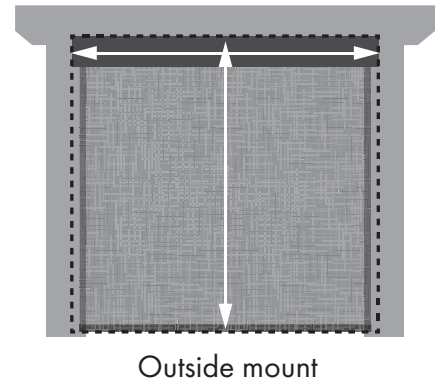
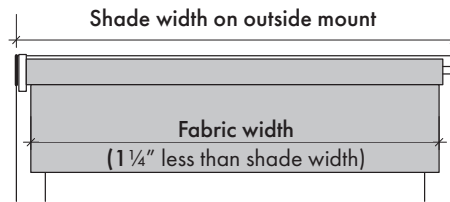
1

Shade Measuring

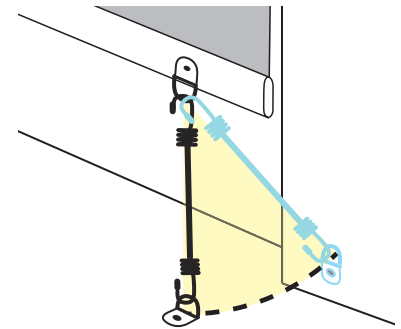
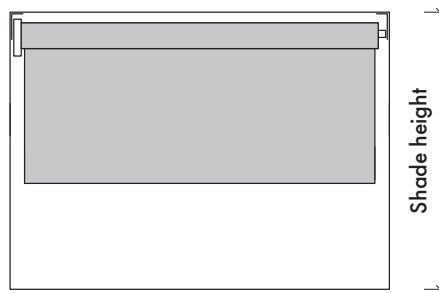
Width For inside (inset) mounts:
Round down opening width to the nearest 1/16" at the top of the opening. This is a critical dimension; measure carefully.
Factory will make no deductions on inside mount shades.



For outside (overlap) mounts:
Provide outside bracket-to-bracket measurement.
Factory will take no deductions on outside mount shades



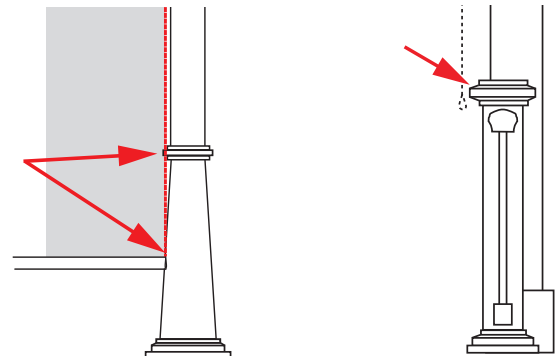
Height Provide the height from the top of shade bracket to the bottom of lowered shade.



To utilize bungee cords, allow 9–10" from floor for full-length shades. Affix to floor or vertical surface; do not exceed bungee angle of 45°.

Hem bar & chain obstructions

- Look for anything that might interfere with lowering of the shade, such as railings, mouldings, protruding masonry, etc.
- Consider reverse roll application to clear obstructions like railings.
- We recommend making shade narrower to avoid vertical obstructions.



2

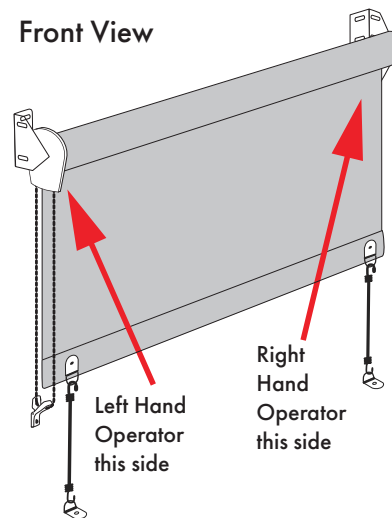
Operator Handing

Right or left

Determine regular roll or reverse roll
 Regular roll: fabric rolls off back of roller tube
 Reverse roll: fabric rolls off front of roller tube

Note: Factory will affix child safety label on back of hem bar for both roll styles.

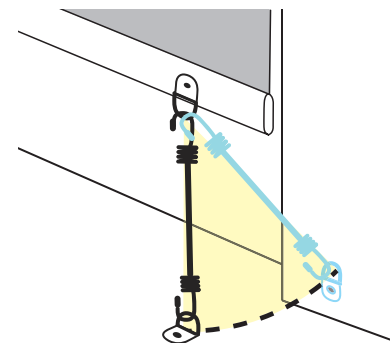
Front View



3

Bungee Cord System

- D-rings attach to hem bar and either deck or wall railing
- Included bungee cords are 8" long prior to stretching
- Bungee must be stretched to provide stabilization
- Shades should be retracted in moderate to high winds



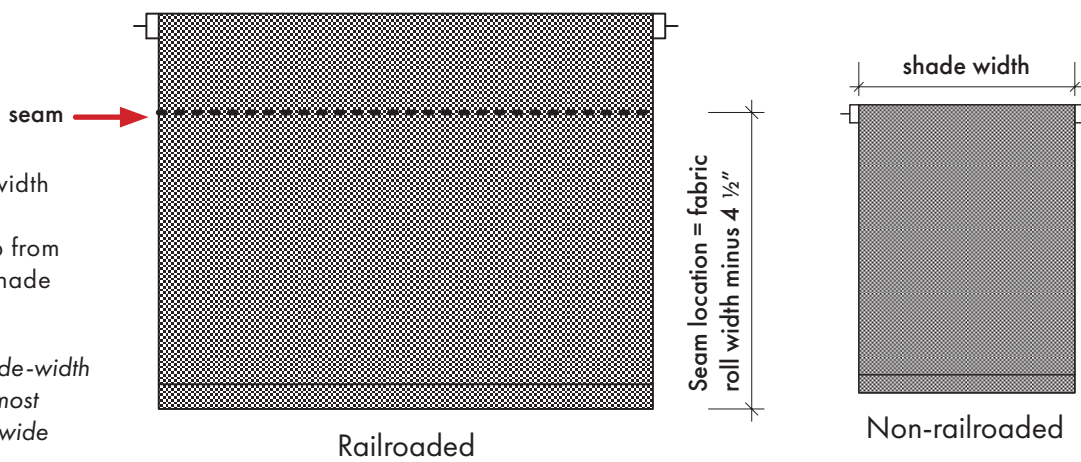
4

Large Railroaded Shades

Seam locations

- Fabric roll width minus 4 1/2"
- Measure up from bottom of shade

Note: Specify wide-width fabrics to avoid most visible seams on wide shades.



Notes: